

4

3

2

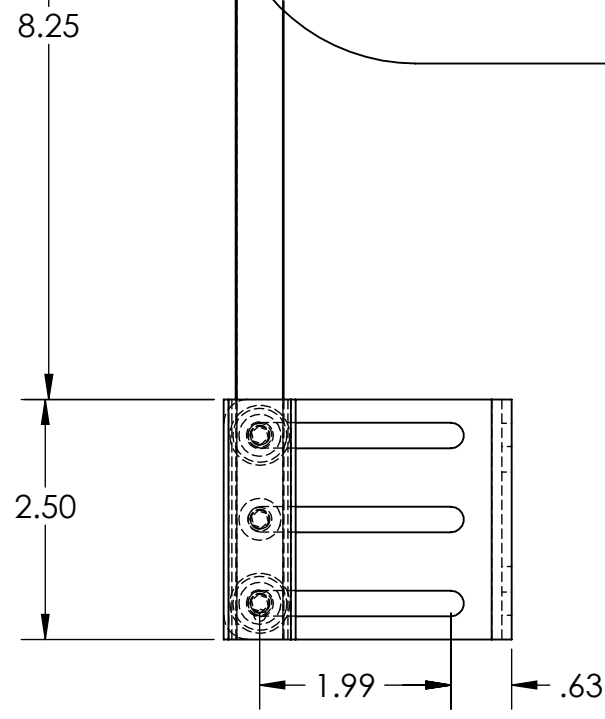
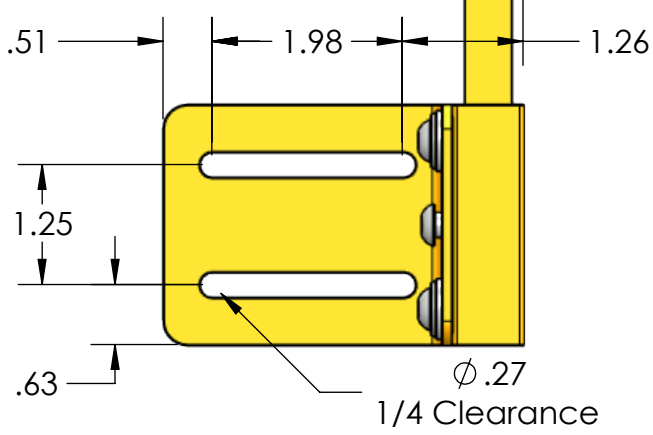
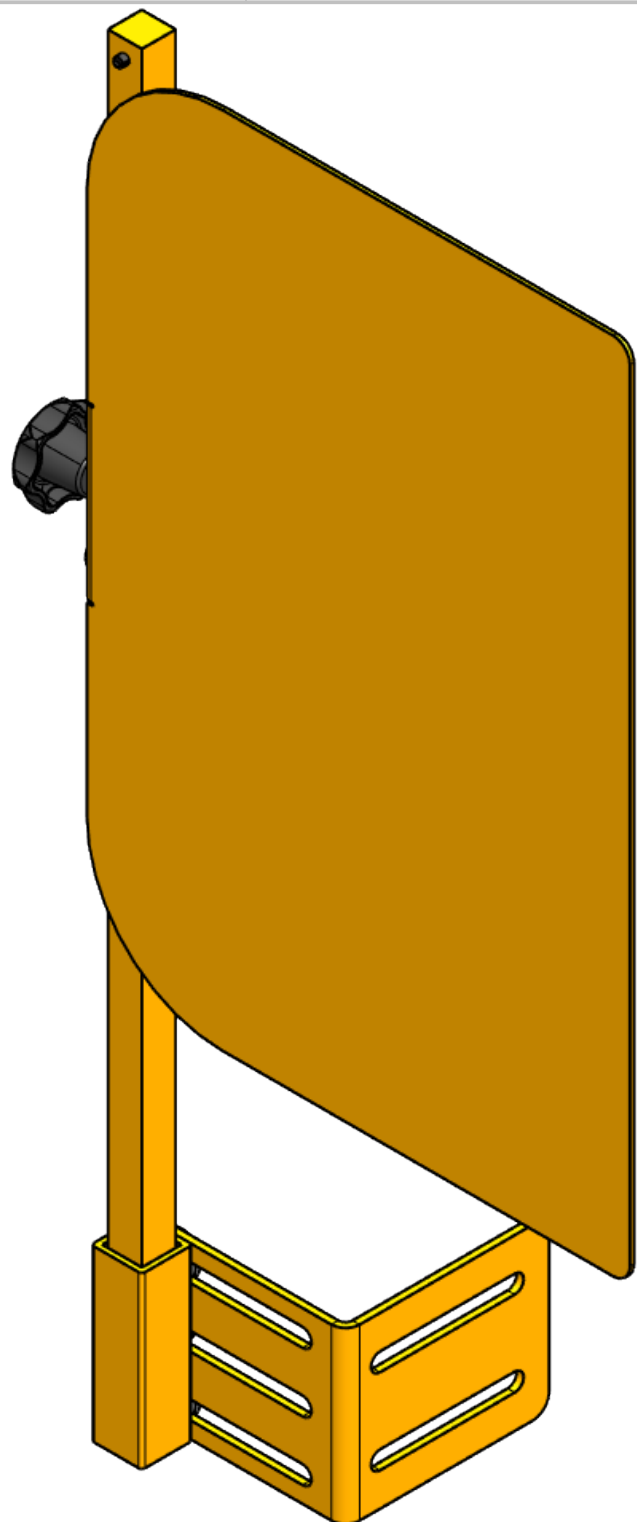
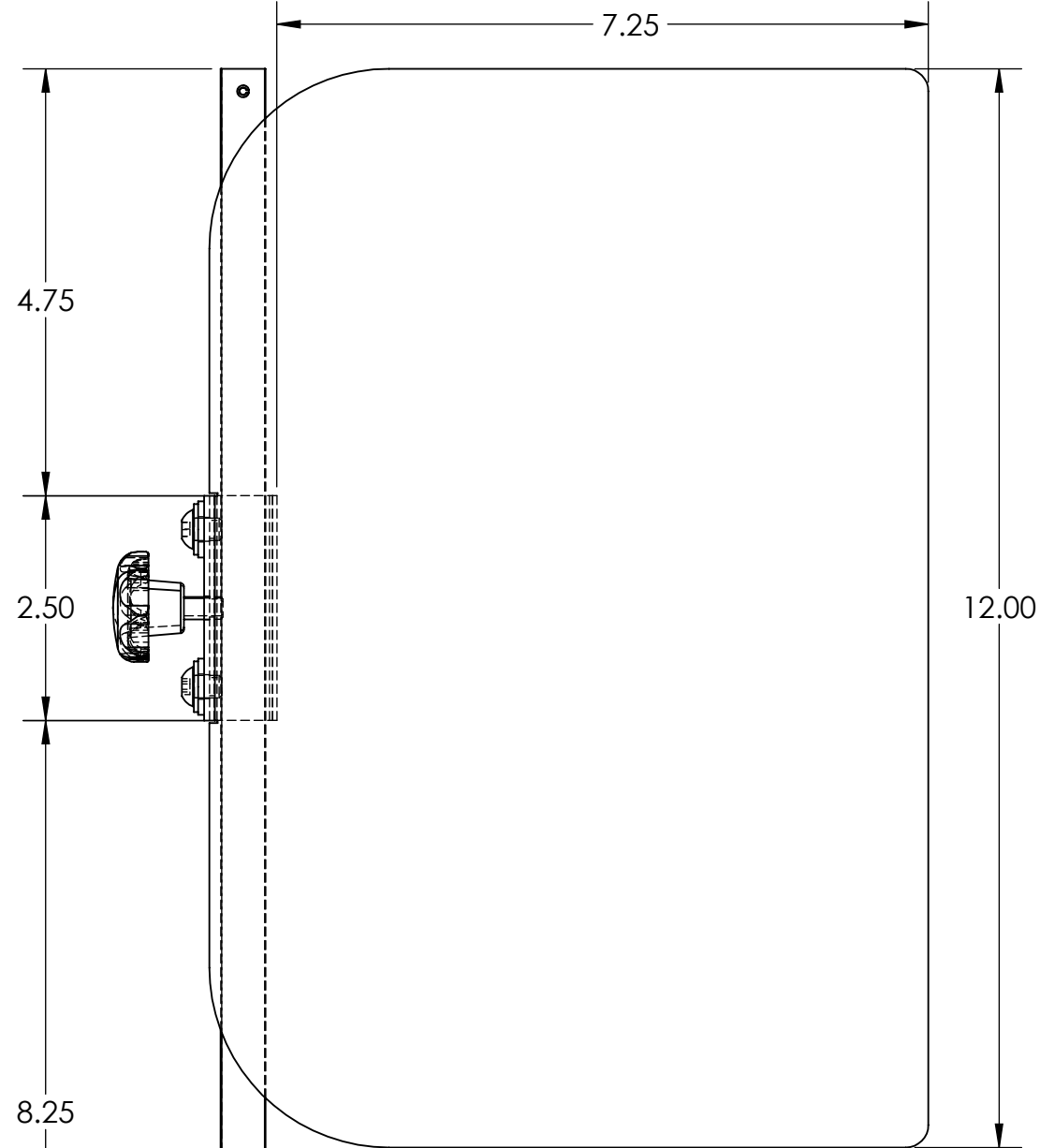
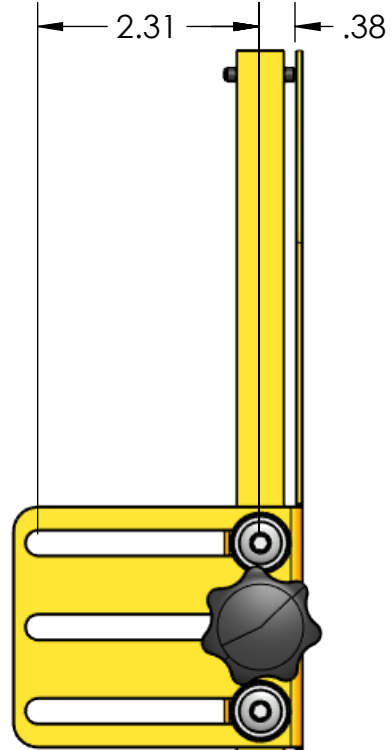
1

B

B

A

A



UNLESS OTHERWISE SPECIFIED:
 DIMENSIONS ARE IN INCHES
 TOLERANCES: ± 0.06
 ANGULAR: DEGREES
 BEND ± 0.1

DATE OF CREATION:
 2022-12-05

WEIGHT:
 3.80 lbs

Number of elements:
 20

Client:

DO NOT SCALE DRAWING



THE INFORMATION CONTAINED IN THIS DRAWING IS THE SOLE PROPERTY OF FERNDALE SAFETY. ANY REPRODUCTION IN PART OR AS A WHOLE WITHOUT THE WRITTEN PERMISSION OF FERNDALE SAFETY IS PROHIBITED.

DRAWN BY:
 Lucas.R

CHECKED BY:

PROJECT:
 FER_BS

PART NUMBER:
 FER-BS-4U

DESCRIPTION:
 Belt sander guard 4inch setup

DATE:
 2022-12-05 1:42:20 PM

SIZE MODEL NAME:
B Belt Sander 4"

SCALE: 1:2 SHEET 1 OF 1

REV
A

4

3

2

1