

4

3

2

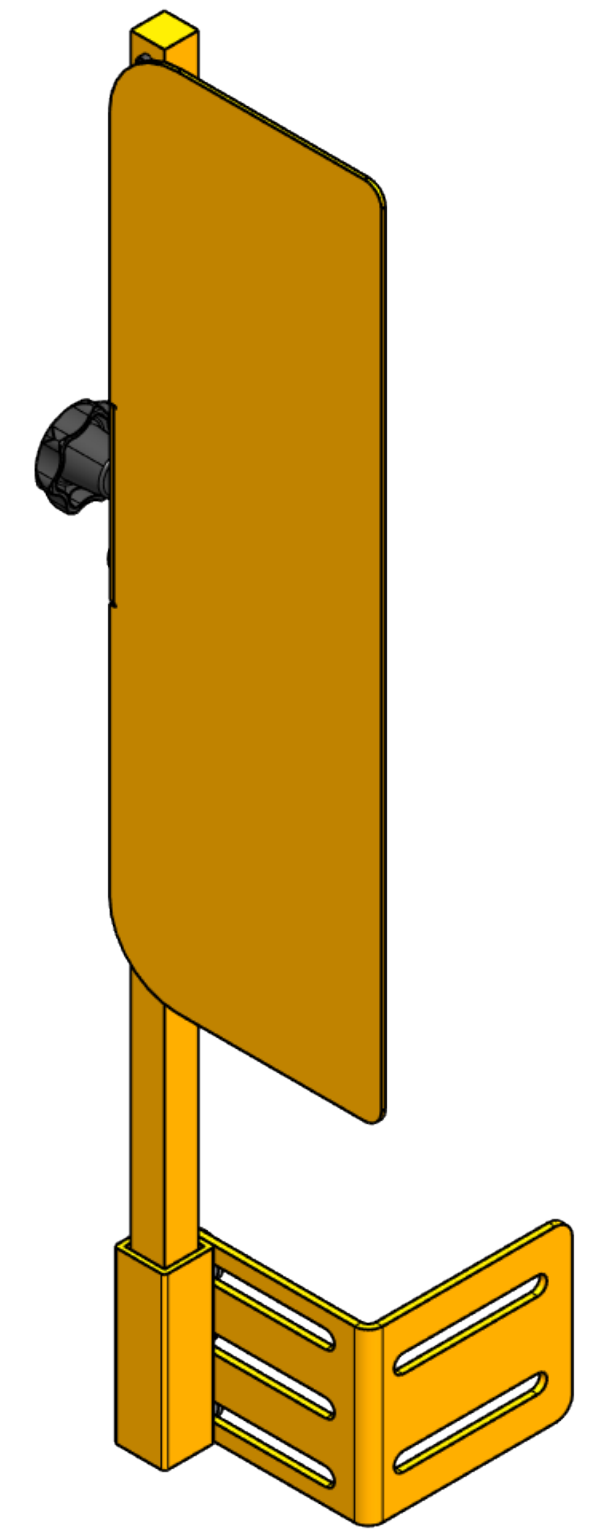
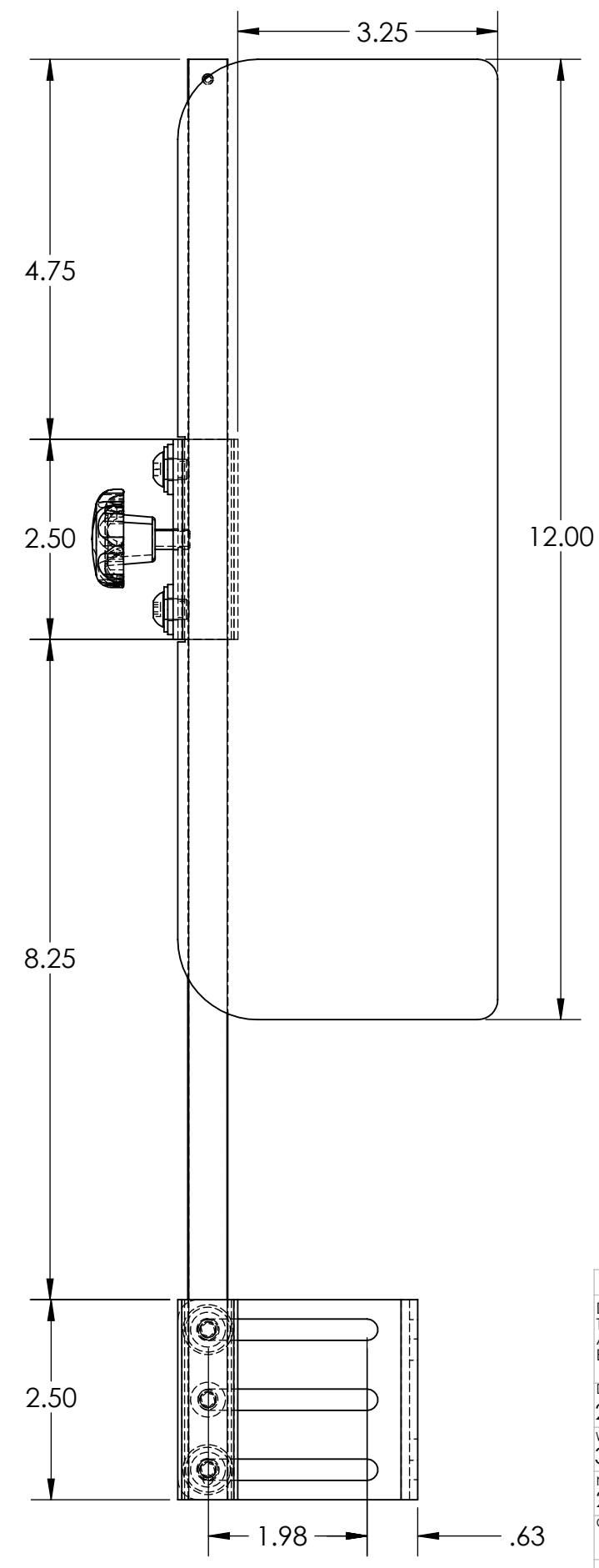
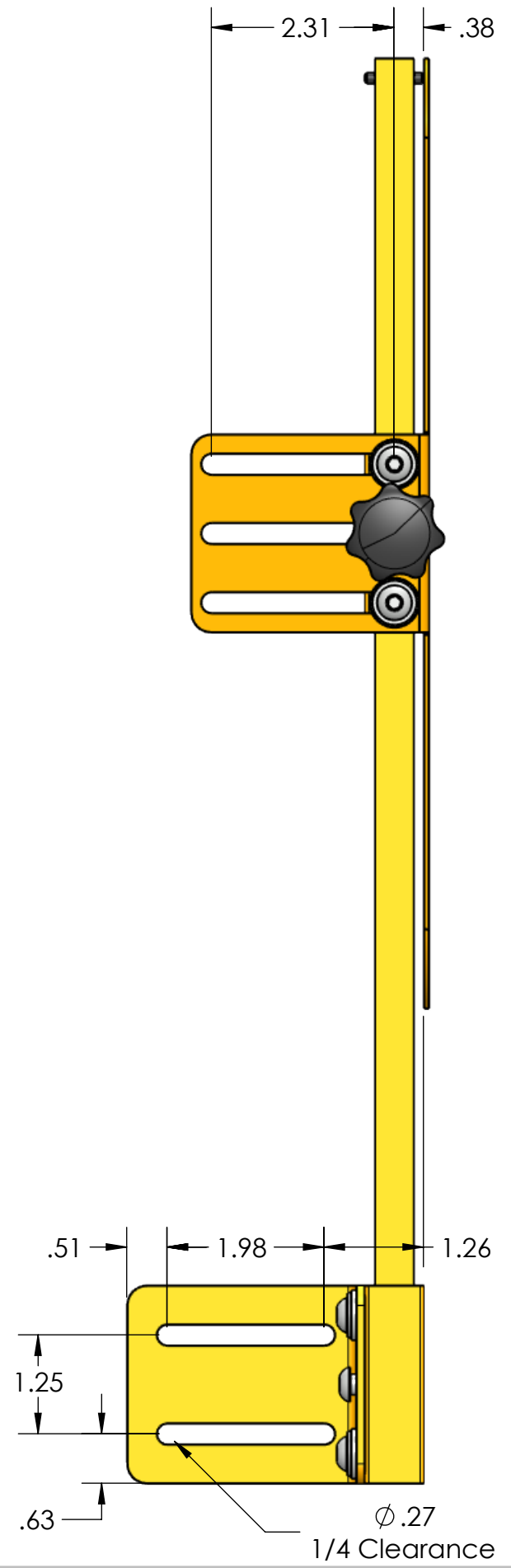
1

B

B

A

A



UNLESS OTHERWISE SPECIFIED:
 DIMENSIONS ARE IN INCHES
 TOLERANCES: ± 0.06
 ANGULAR: DEGREES
 BEND ±0.1

DATE OF CREATION:
 2022-12-05

WEIGHT:
 3.00 lbs

Number of elements:
 20

Client:

DO NOT SCALE DRAWING

Ferndale
Safety

THE INFORMATION CONTAINED IN THIS DRAWING IS THE SOLE PROPERTY OF FERNDALE SAFETY. ANY REPRODUCTION IN PART OR AS A WHOLE WITHOUT THE WRITTEN PERMISSION OF FERNDALE SAFETY IS PROHIBITED.

DRAWN BY:
 Lucas.R

CHECKED BY:

PROJECT:
 FER_BS

PART NUMBER: FER-BS-2U		REV A
DESCRIPTION: Belt sander guard 2inch setup		
DATE: 2022-12-05 1:40:02 PM	MODEL NAME: Belt Sander 2"	
SCALE: 1:2	SHEET 1 OF 1	

4

3

2

1